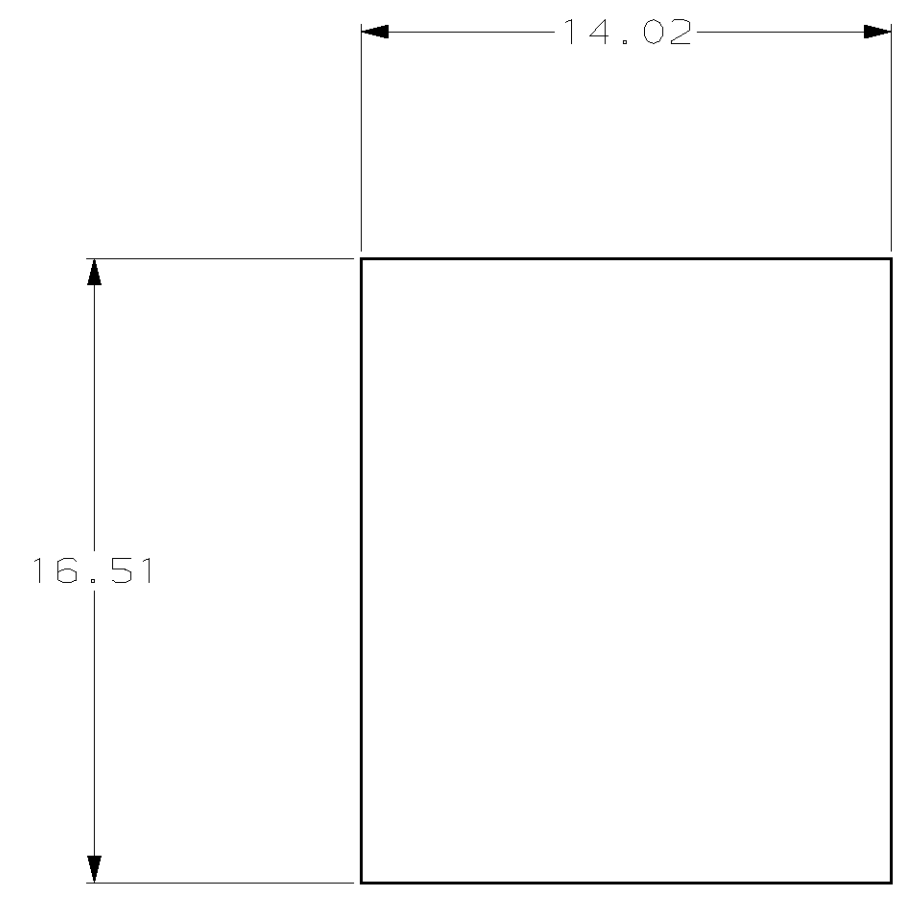
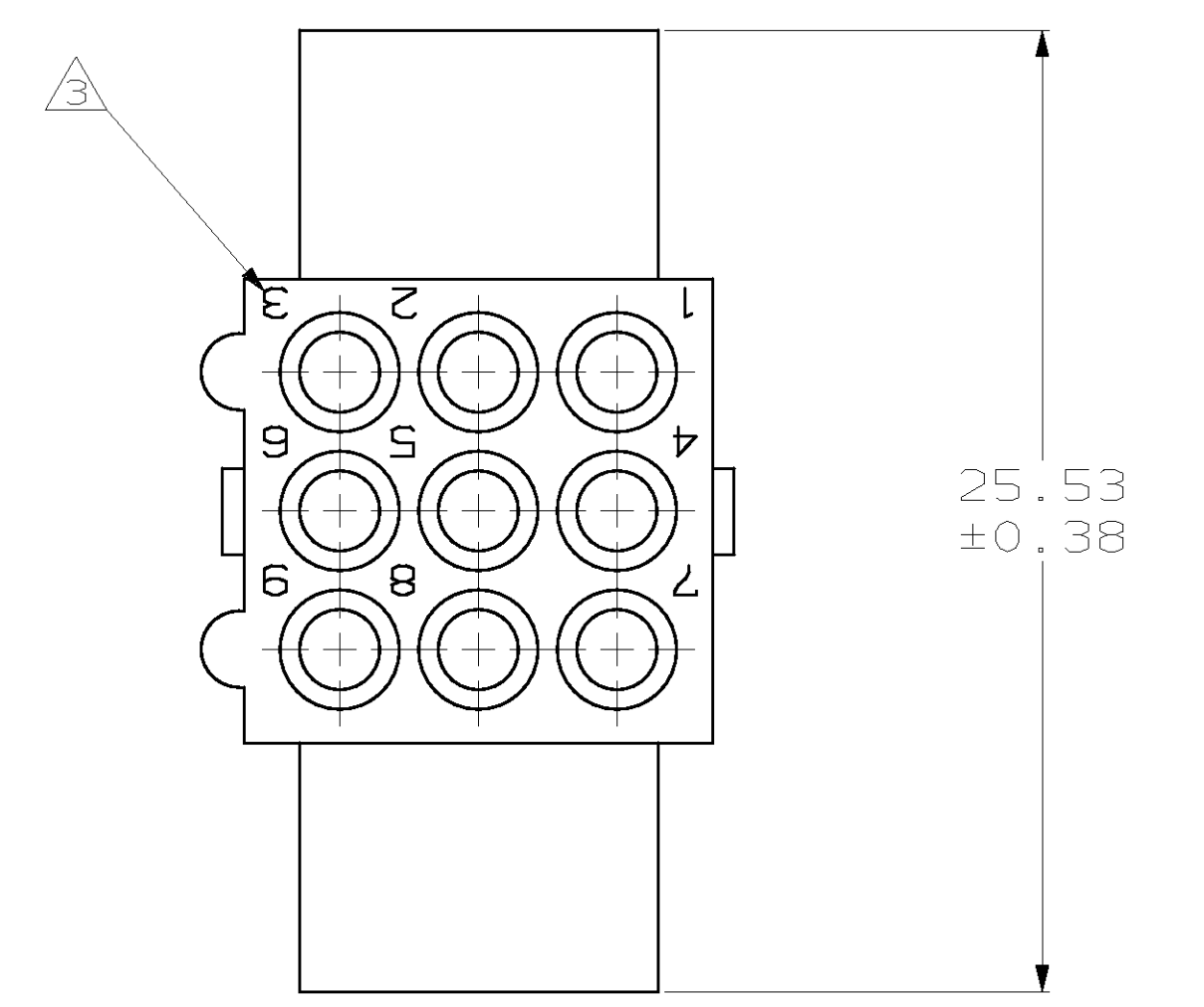
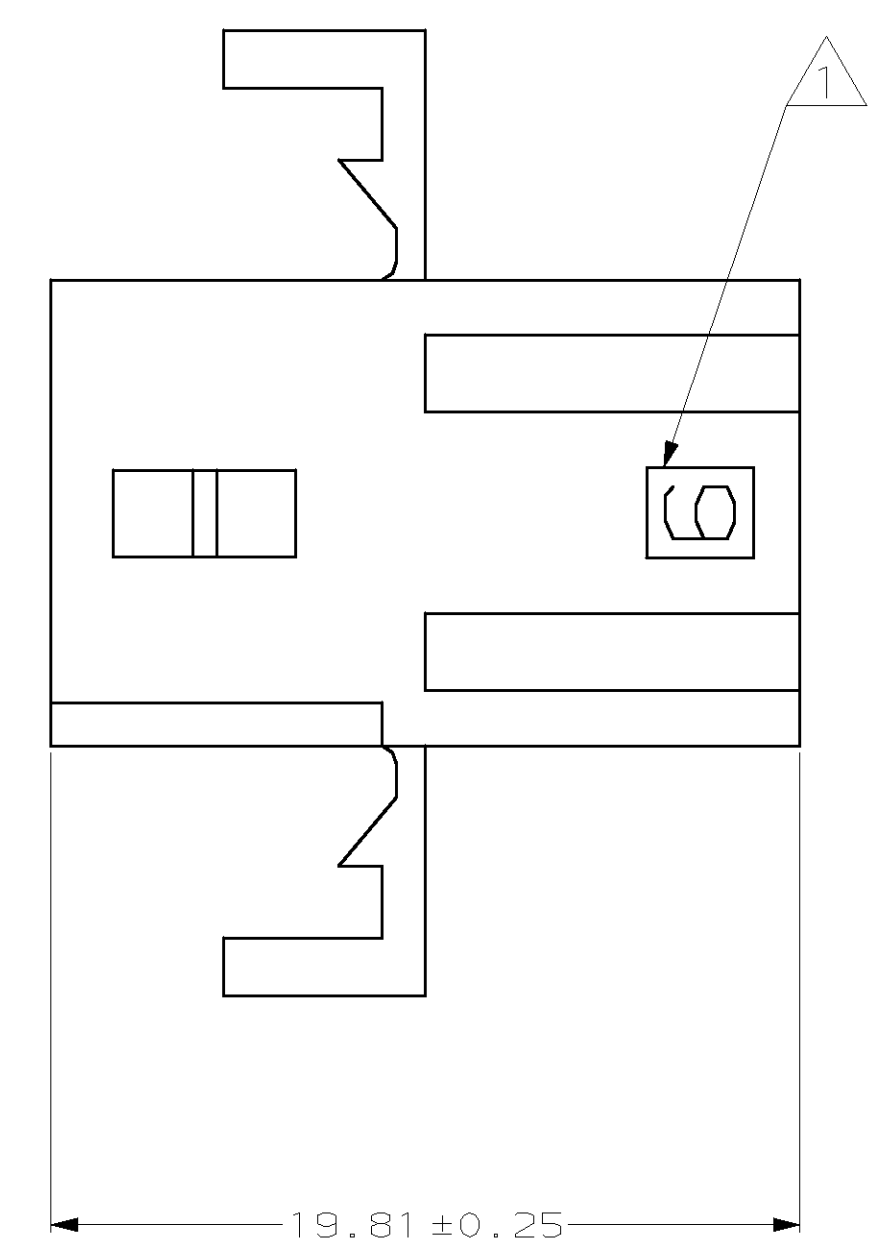
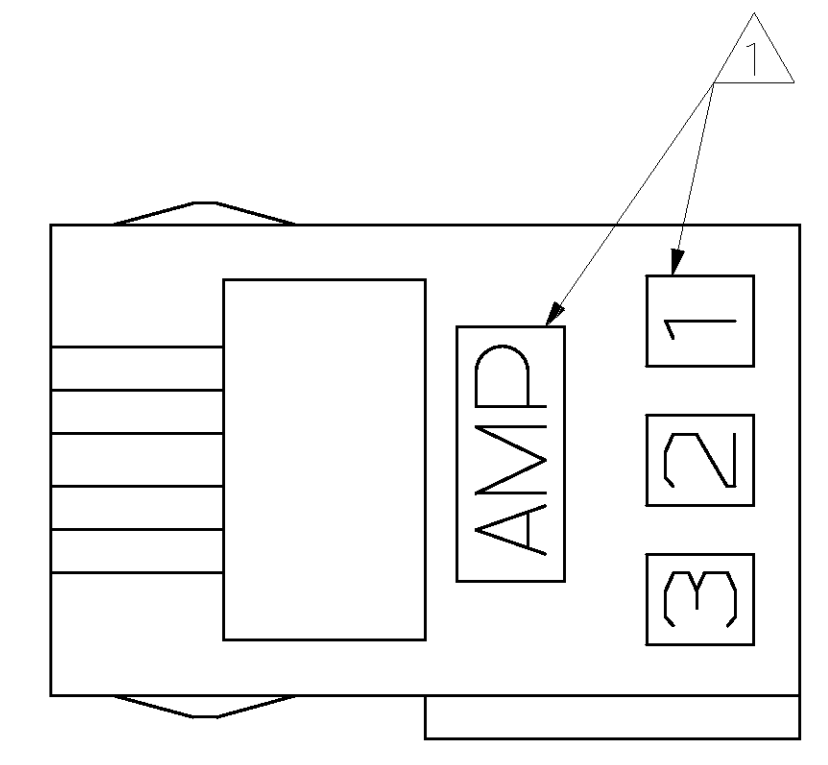


LOC	QTY	REV	DATE	BY	APPV
CM	53				

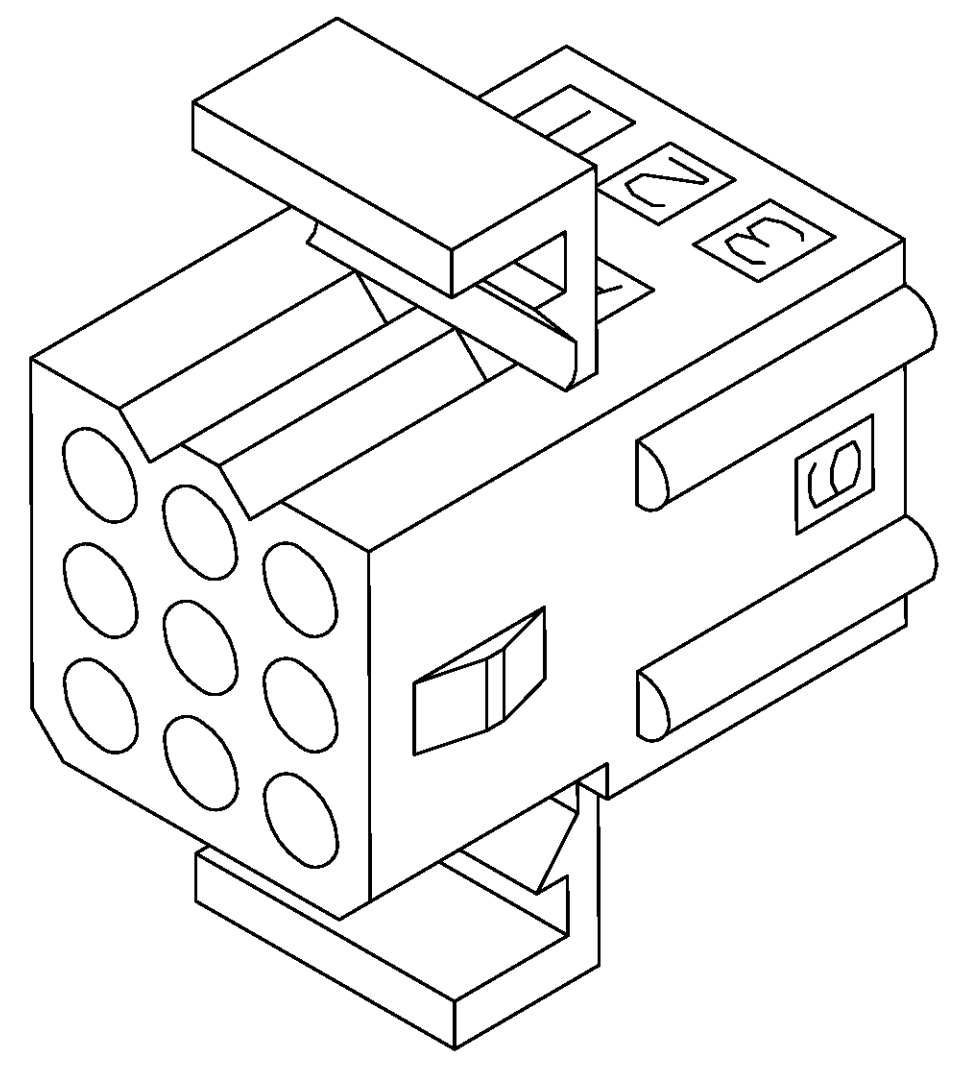
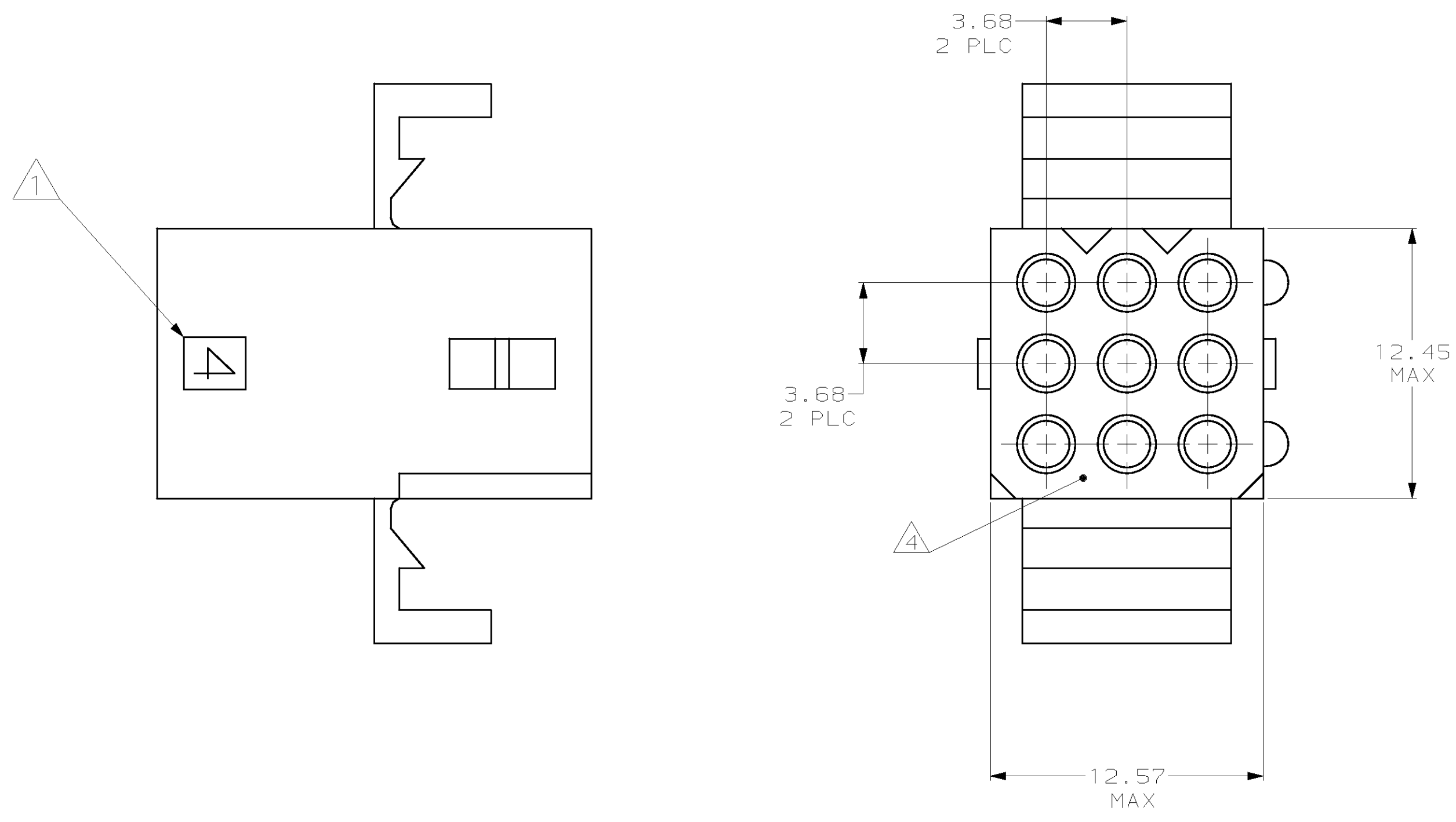
REVISIONS					
REV	DESCRIPTION	DATE	BY	APPV	
C	REV & REDWN PER EC 0L30-0214-97	10-20-97	KW	RS	

- ① AMP LOGO AND CIRCUIT NUMBERS LOCATED APPROXIMATELY AS SHOWN.
- ② CSA LOGO AND UL LOGO LOCATED ON THIS SURFACE.
- ③ CIRCUIT NUMBERS MAY OR MAY NOT APPEAR.
- ④ AMP LOGO MAY OR MAY NOT APPEAR ON THIS SURFACE.



RECOMMENDED CUT OUT FOR 1.52 MAX THICK PANEL

770427-1
PART NUMBER



3-DIMENSIONAL MODEL NTS

MM	IN	MM	IN
3.68	.145	25.53	1.005
1.58	.062	19.81	.780
1.52	.060	16.51	.650
0.38	.015	14.02	.552
0.25	.010	12.57	.495
0.13	.005	12.45	.490

CONVERSION TABLE

METRIC

THIS DRAWING IS A CONTROLLED DOCUMENT.

DIMENSIONS:	TOLERANCES UNLESS OTHERWISE SPECIFIED:	DWN	K. WHITAKER	10-20-97
mm	9 PLC ±-	CHK	R. SWING	10-20-97
	1 PLC ±-.13	APPV	K. CORLE	10-20-97
	2 PLC ±-.13	PRODUCT SPEC		
	3 PLC ±-	APPLICATION SPEC		
	4 PLC ±-	HEIGHT		
	ANGLES ±-	CUSTOMER DRAWING		

MATERIAL: NYLON, JL 94V-2, NATURAL FINISH: -

AMP Incorporated
Harrisburg, PA 17105-3608

RECEPTACLE, PANEL MOUNT, 9 CIRCUIT, .062 PIN AND SOCKET

SIZE: A1 SCALE CODE: 5:1 DRAWING NO: 007790-770427 RESTRICTED TO: -

SHEET 1 OF 1 REV C